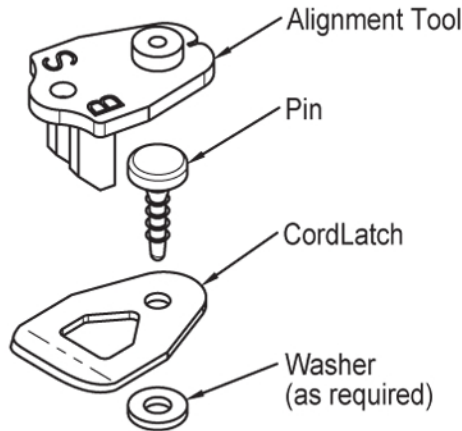


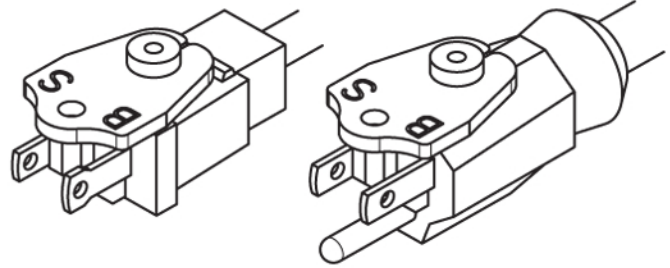
# Installation Instructions



Tools required for installation:  
Hammer & Drill

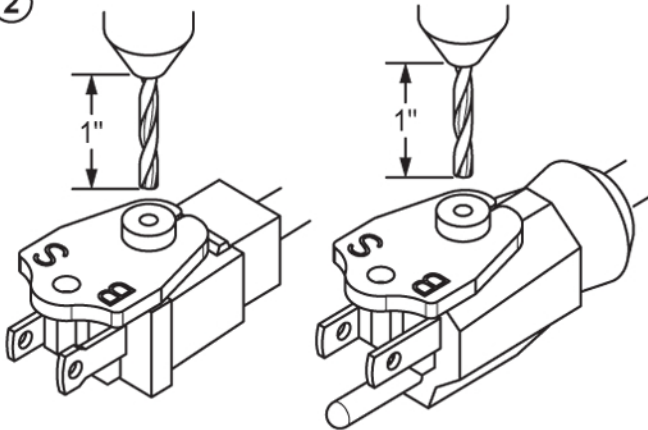
**WARNING: CHOKING HAZARD -Small Parts.**  
Not for children under 3 years of age.

①



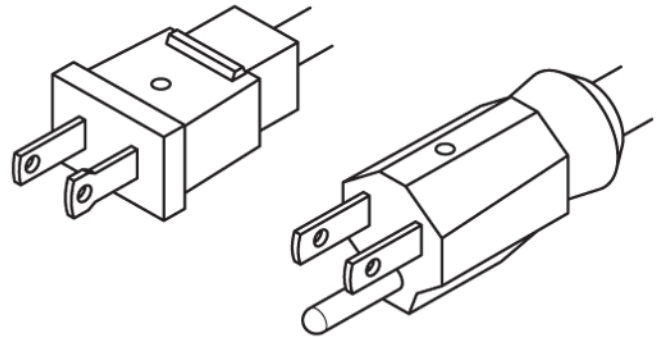
Position alignment tool on male end of plug. Note proper placement of tool, 'B' on tool next to the Big prong, 'S' on tool next to the Small prong. This designates the top of the plug. Alignment tool must be centered on plug and seated firmly to plug face before drilling.

②



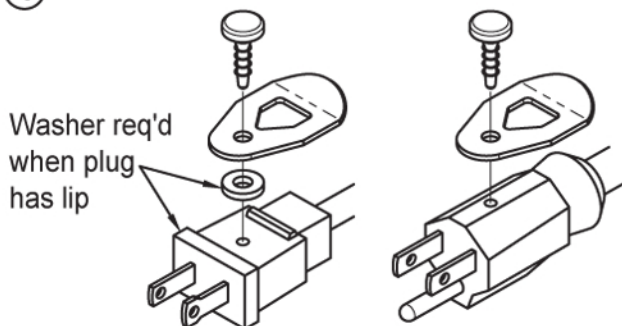
With drill bit set to 1" depth, drill through alignment tool hole. For a 3-prong plug, check the depth of ground prong prior to drilling to prevent damage to prong.

③



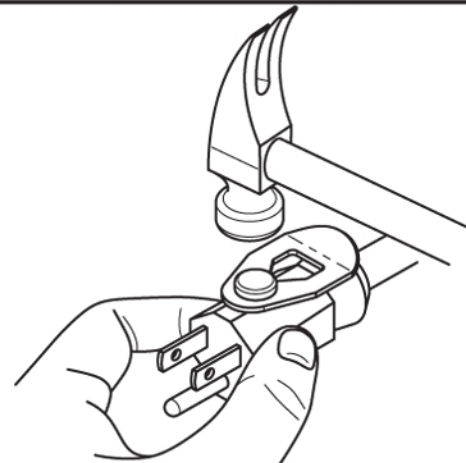
Remove drill & alignment tool from plug.

④



Place CordLatch device (using washer if necessary) on prepared cord. Set point of pin in hole.  
**IMPORTANT:** Use only the pin provided to avoid electrical shock.

⑤



Hold assembly with one hand on solid surface, strike pin squarely with hammer until fully seated (snug fit) to CordLatch device.



**WARNING:** Failure to install as instructed may result in damage to cord or connected equipment or personal injury.  
To be installed or checked by an electrician or qualified person only.

Patent Numbers 7,758,371 and 7,744,400